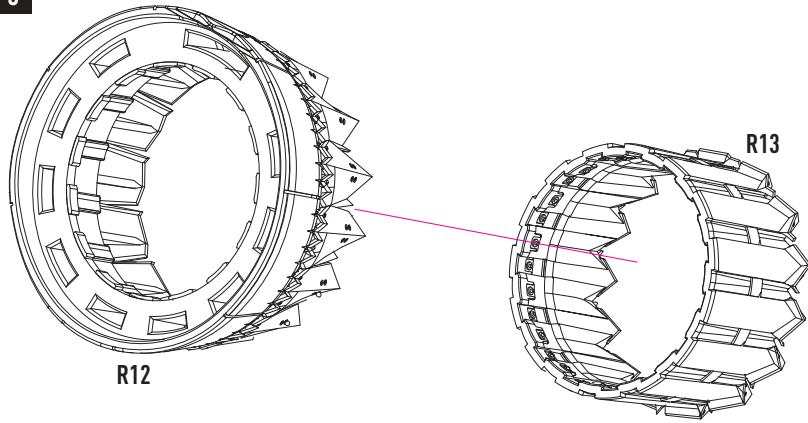
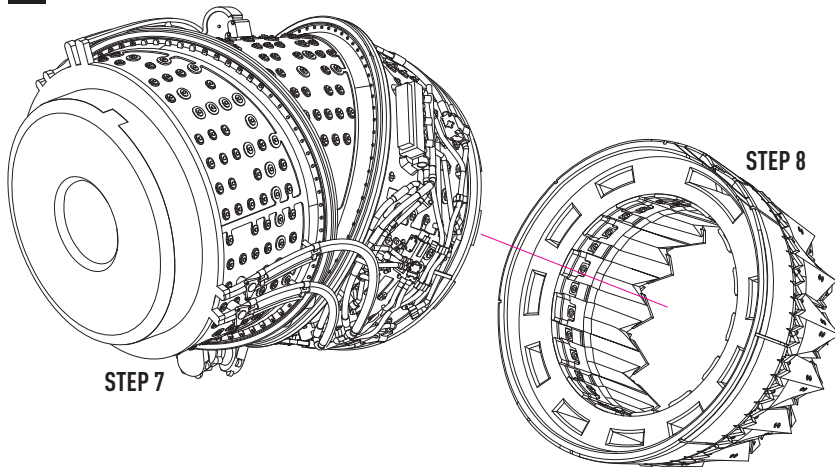


8

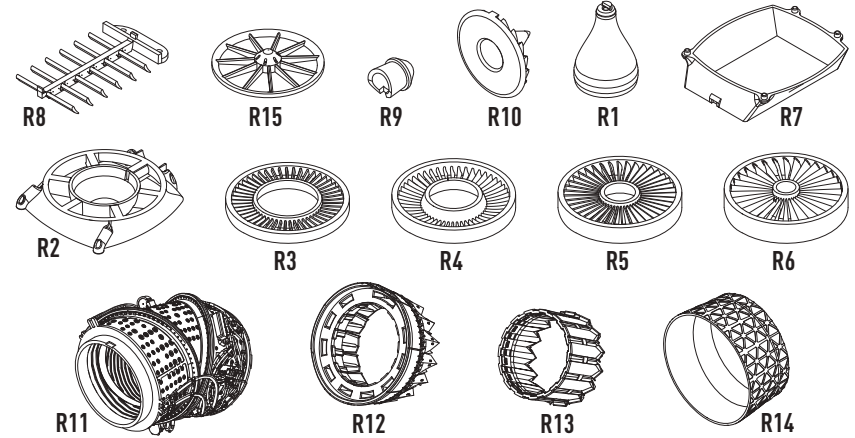


9



10 IN ITALERI INSTRUCTIONS ON PAGE 14, STEP 19, WINDOW P - REPLACE PARTS FROM ITALERI KIT WITH CONSTRUCTION FROM STEP 9

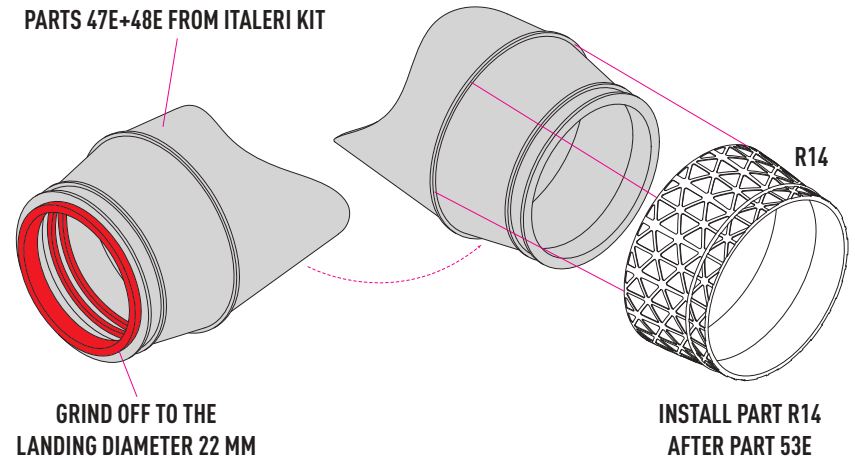
DETAILS AFTER REMOVAL FROM SUPPORTS



1 IN ITALERI INSTRUCTIONS ON PAGE 7, STEP 9 - REPLACE PART 28G WITH PART R8

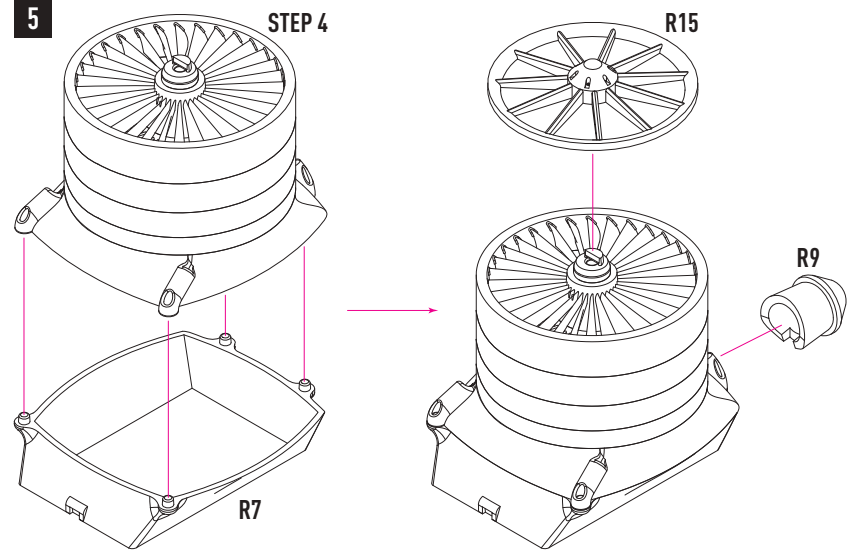
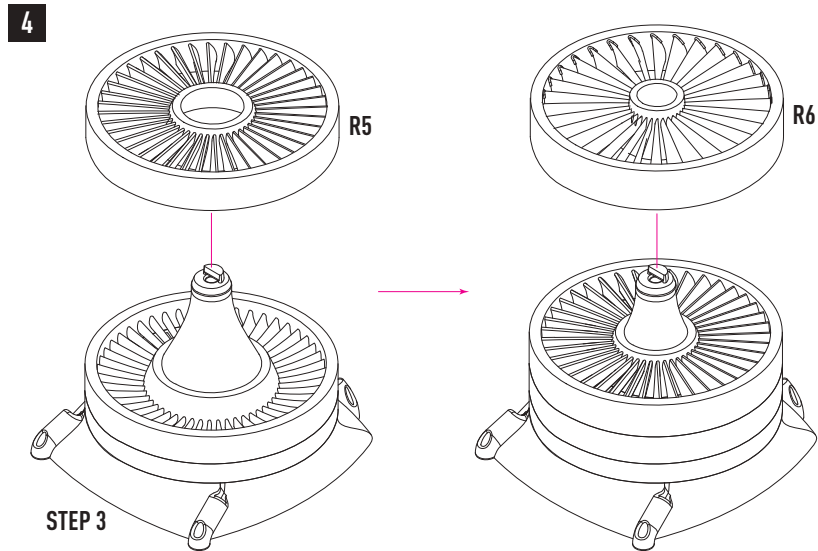
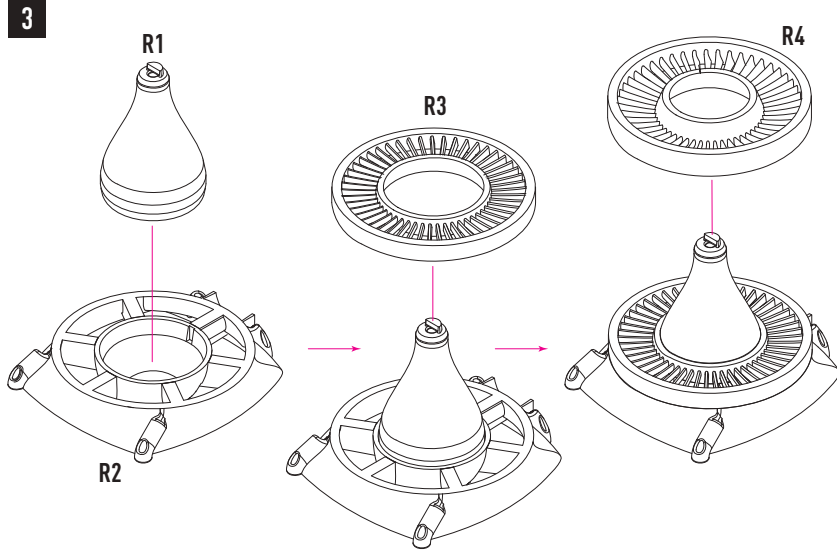
2 IN ITALERI INSTRUCTIONS ON PAGE 8, STEP 11 - PREPARE PARTS 47E AND 48E FOR FURTHER INSTALLATION. DO NOT USE PART 57E

PARTS 47E+48E FROM ITALERI KIT



GRIND OFF TO THE
LANDING DIAMETER 22 MM

INSTALL PART R14
AFTER PART 53E



6 IN ITALERI INSTRUCTIONS ON PAGE 8, STEP 11, WINDOW J - REPLACE STANDARD PARTS WITH CONSTRUCTION FROM STEP 5

